


# THERMOSTATIC MIXING VALVE

# surfashower®

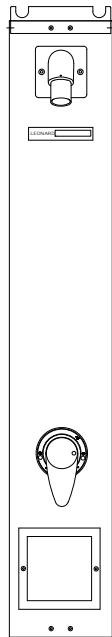
Valve is ASSE 1016 Listed 

**SS-PAM-200/3ISA-RSD**

**SS-PAM-202-RSD**

**SS-PAM-204-RSD**

**SS-PAM-H15-RSD**



**SS-PAM-200/3ISA-RSD**



**WARNING:** This product can expose you to chemicals including lead, which is known to the State of California to cause cancer. For more information, go to [www.P65Warnings.Ca.gov](http://www.P65Warnings.Ca.gov)

**\*NOTE:** A limit stop, set for 110°F (43°C), is simply a mechanical setting to prevent excessive handle rotation. If incoming water is hotter than 135°F (57°C), the temperature of the factory test, the valve when turned to full HOT may deliver water in excess of 110°F and the limit stop **MUST BE RESET BY THE INSTALLER**

Note: Leonard Valve Company reserves the right of product, or design modifications without notice or obligation.

<b>Engineer's Approval</b>	Job # _____
	Arch/Eng. _____
	Contractor _____

## PRESSURE ACTUATED MODELS

### SS-PAM-200/3ISA-RSD Surfashower®

- PAM® -II, Pressure Actuated Shower Mixer
- Stainless steel pressure balancing piston
- Built-in shutoff for single handle operation
- Color-coded dial
- Adjustable high temperature limit stop set for 110°F\* (43°C)
- Inlet stops, soap dish
- H-06 brass shower head, 2.5 GPM (9.5 l/min.) max
- Special cast mounting bracket
- Factory pre-assembled with 18 gauge stainless steel cover, #4 finish, with top and bottom caps.
- Recessed soap dish
- Exposed parts chrome plated, vandal-resistant.
- 1/2" inlets, copper tube connection
- Maximum operating pressure: 125 PSI (860 KPA)

### SS-PAM-202-RSD

- H-01 adjustable spray ball joint shower head 2.5 GPM (9.5 l/min.)

### SS-PAM-204-RSD

- H-03 adjustable spray ball joint shower head 2.5 GPM (9.5 l/min.)

### SS-PAM-H15-RSD

- H-15 adjustable spray ball joint massage shower head 1.5 GPM (5.7 l/min.) high-impact ABS body chrome plated

SUFFIX VX - Integral stainless steel extension to ceiling, specify length \_\_\_\_". See reverse side to calculate VX length

SUFFIX C102S - C102S Brass showerhead 2.0 GPM flow rate

SUFFIX ADJ- 3ISA ONLY Adjustable shower head 2.5 GPM (9.5 l/min)

SUFFIX 1.5- H-06 Shower head with 1.5 GPM flow rate



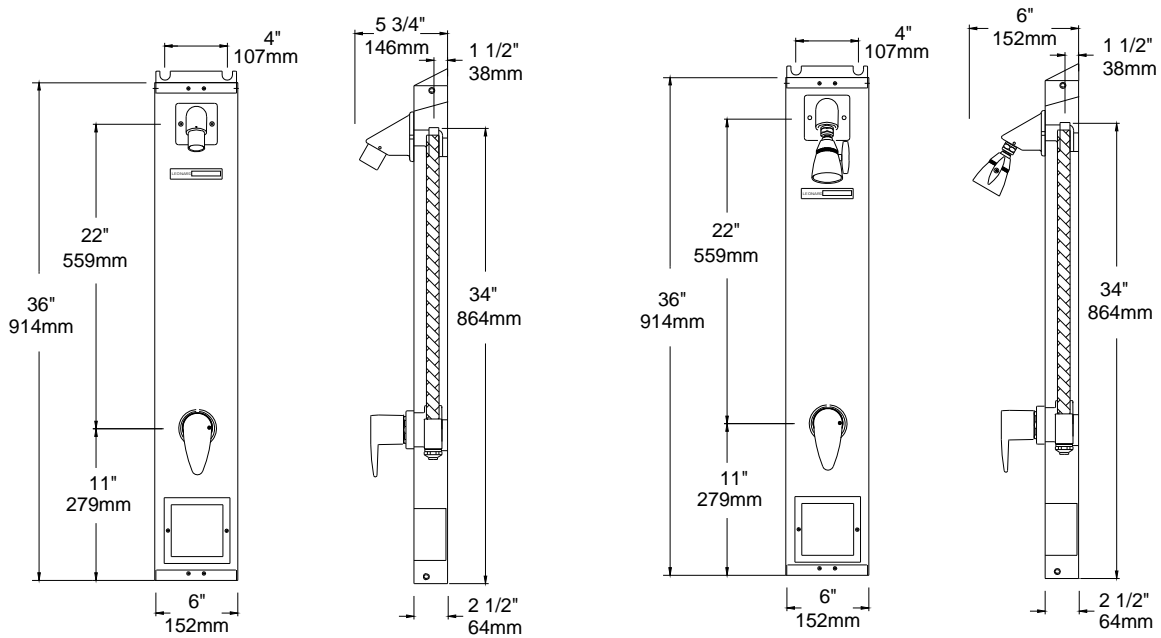
1360 Elmwood Avenue, Cranston, RI 02910 USA

Phone: 401.461.1200 Fax: 401.941.5310

Email: [info@leonardvalve.com](mailto:info@leonardvalve.com)

Web Site: <http://www.leonardvalve.com>

# Pressure Actuated Models



## SUFFIX VX

(For SS-PAM-200/3ISA)-RSD

**VX Length:**

**To calculate:**

**VX Length = Ceiling height minus  
shower head height minus 5"  
(127mm)**

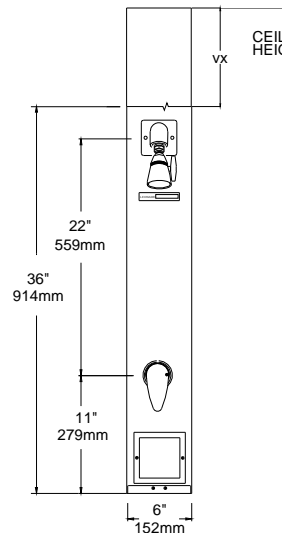
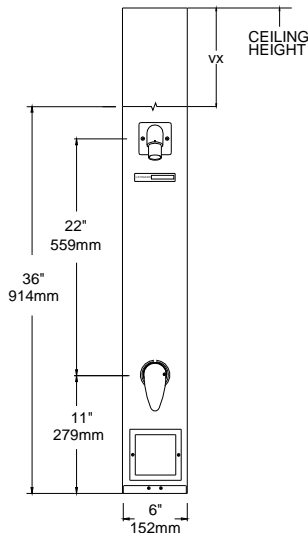
## SUFFIX VX

(For SS-PAM-204)(202)(H-15)-RSD

**VX Length:**

**To calculate:**

**VX Length = Ceiling height minus  
shower head height minus 7 1/2"  
(191mm) (-104)  
minus 8 1/4" (209mm) (-102)(H-15)**



1360 Elmwood Avenue, Cranston, RI 02910 USA

Phone: 401.461.1200 Fax: 401.941.5310

Email: [info@leonardvalve.com](mailto:info@leonardvalve.com)

Web Site: <http://www.leonardvalve.com>